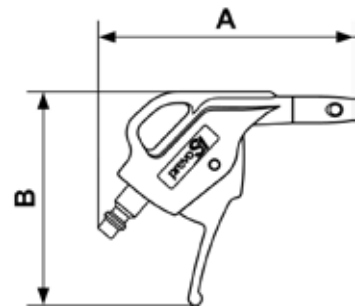


## PREVOS1 BLOW GUNS ON CLIP - ISO 6150 B PROFILE

PREVOS1 blow gun with OSHA  
nozzle

Profile : ISO 6150B



<b>Force of blow-molding</b> 260 (G)	<b>Flow rate at 6 bar</b> 1 (BAR)	<b>ID passage (mm)</b> 6 mm
---	--------------------------------------	--------------------------------

Part number	Flow rate at 6 bar (l/min)	Sound level (DBA)	Length (m)	ID passage (mm)	Dim. A (mm)	Dim. B (mm)
IBG 06OSHP	220	87	0.05	6 mm	116	97